

## REMOTE AMP WITH ZONE SELECTOR



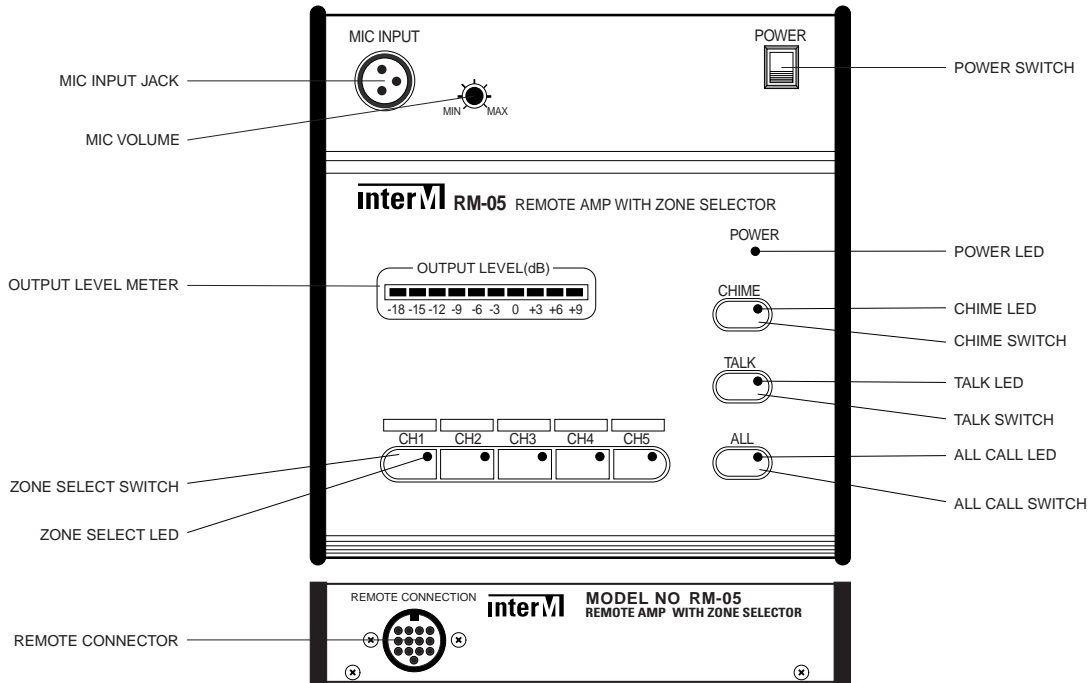
### FEATURES

- **SPEAKER LINE CONTROL**  
Speaker zone of PAM-240/360 can be control by RM-05.
- **ZONE CONTROL CIRCUITS**  
Speaker zones can be selected individually by means of the CHANNEL switches or altogether using the ALL CALL switch.
- **ANNOUNCEMENTS BY MICROPHONE**  
Unobtrusive and easy to use condenser type microphone which is highly sensitive and reproduces high clarity speech.
- **PRE-ANNOUNCEMENT CHIME**  
A four tone chime is incorporated for pre-announcement purposes. It is initiated by pressing the CHIME switch.
- **LED OUTPUT LEVEL INDICATION**  
The ten segment LED barograph display indicates the instantaneous signal output level of the amplifier.

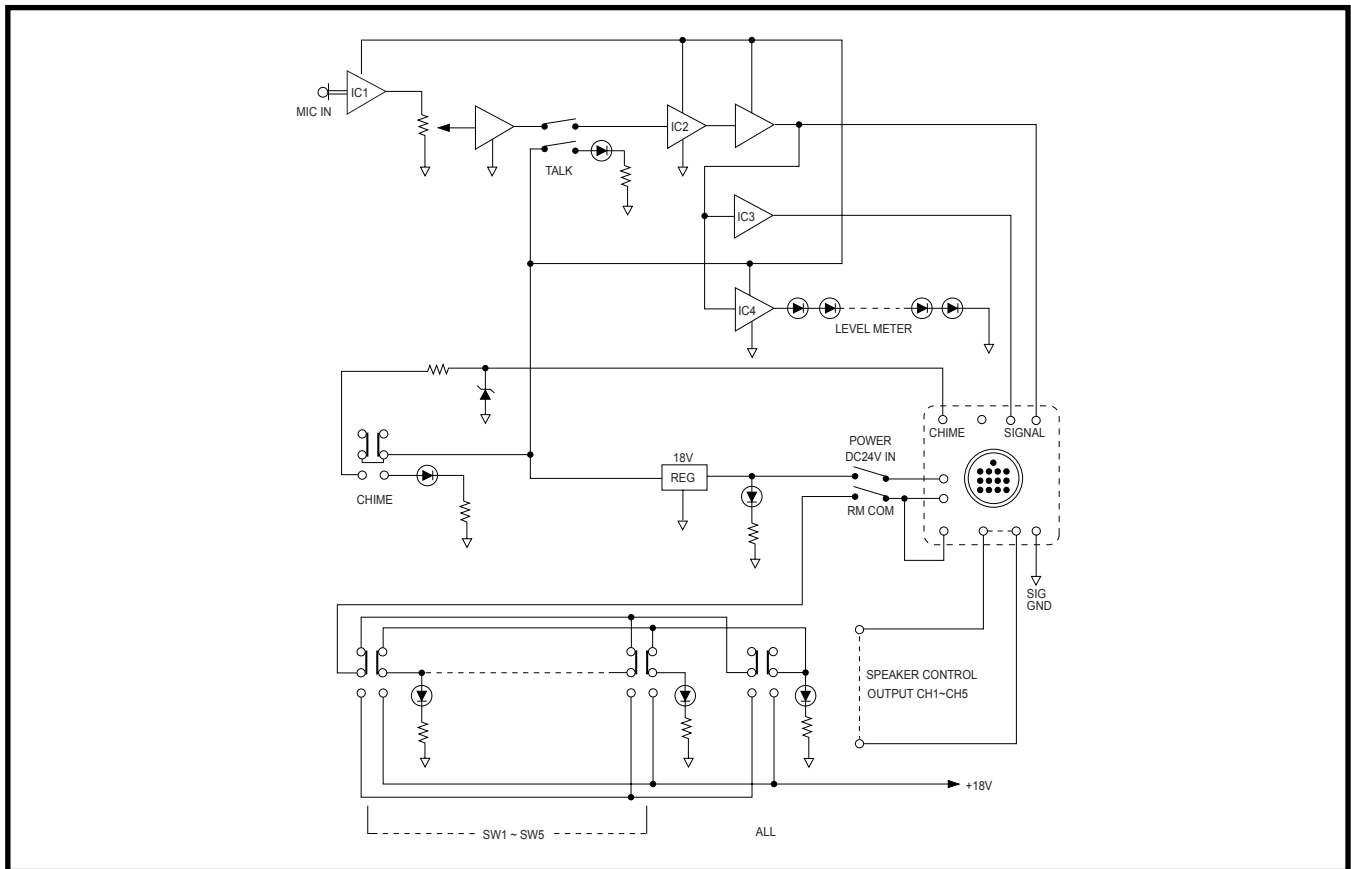
### SPECIFICATIONS

- **ELECTRICAL** \* 0dB=0.775Vrms
  - /Output Level/Impedance .....+4dB(unit gain)/600Ω, BAL
  - /MIC Input Sensitivity/Impedance.....-50dB/600Ω, BAL
  - Frequency Response .....20Hz~20kHz, -3dB
  - THD .....Less than 0.1%
  - S/N .....Better than 65dB
  - Speaker Control Terminal & Switch .....5CH
- **MIC (CMC-01) Specifications**
  - Type .....Condenser Microphone
  - Polar Pattern.....Unidirectional
  - Frequency Response .....100Hz~16,000Hz
  - Impedance .....Max 680Ω
  - Sensitivity(0dB=1V/0.1Pa at 1kHz) .....-47dB±3dB
  - Sensitivity Reduction .....With in -3dB at 1.0V
  - Current Consumption .....Max 0.5mA
  - S/N Ratio .....More than 60dB
  - Standard Power Supply .....DC 1.5V
  - Weight Goose Neck .....200g
- **GENERAL**
  - Power Source.....DC 24V(used by DIN connector)
  - Weight.....900g / 2lb(Without Microphone)
  - Dimensions .....194(W)x60.4(H)x205(D)mm  
7.6(W)X2.3(H)X8(D)in

# RM-05



## BLOCK DIAGRAM



**interM**

OFFICE : 653-5 BANGHAK-DONG, DOBONG-KU, SEOUL, KOREA TEL : 82-2-2289-8140~8, FAX : 82-2-2289-8149

Home page : <http://www.inter-m.com>

E-mail : [export@inter-m.com](mailto:export@inter-m.com)

9047932310