

# PAM-240A/360A



## PUBLIC ADDRESS AMPLIFIER



### FEATURES

- 6 Balanced XLR inputs with sensitivity controls
- 3 Band Equaliser on each input
- Switchable audio signal priority override on channels 1 & 2 (overrides defeat all music modules and channels 3, 4, 5 & 6)
- Emergency terminal with an optional emergency voice IC available
- 600ohm telephone/priority input provides emergency audio signal override of all other channels
- Convenient 4 tone chime for use with announcements - local and remote operation
- 19" Rack mount kit supplied as standard
- Switchable Phantom Power on each input
- 5 Local speaker selectors (70V/100V output only)
- Remote Control Input: Individual speaker zones can be selected and chime can be operated by wired remote control.

### SPECIFICATIONS

#### ■ ELECTRICAL

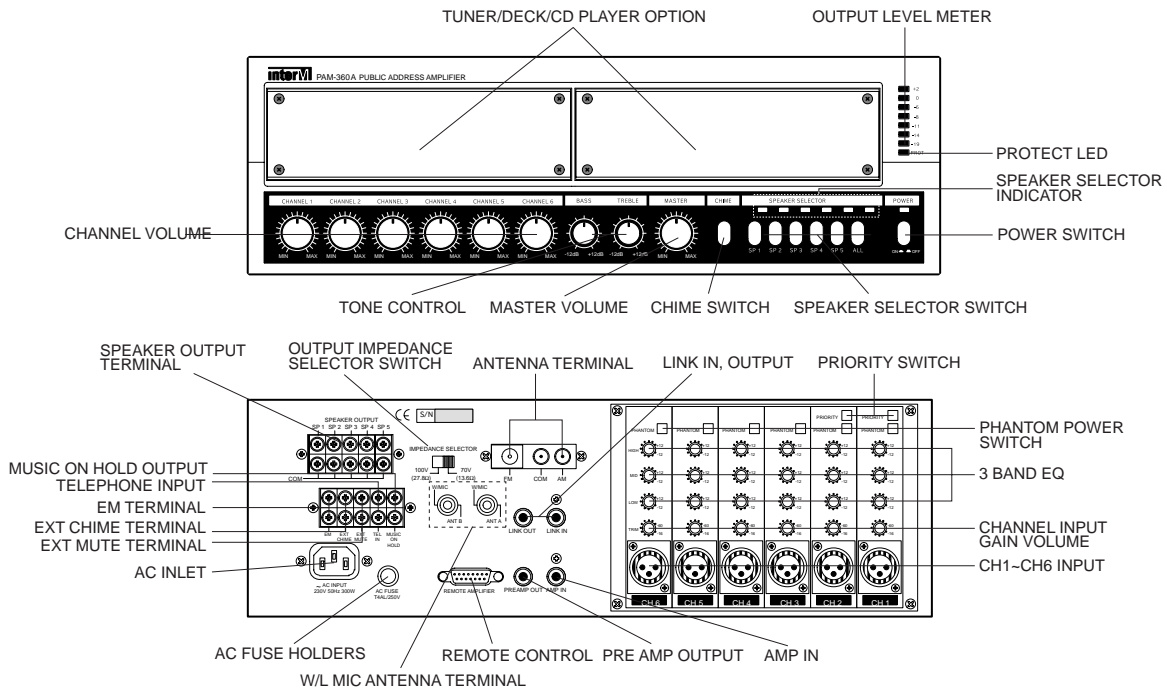
- Output Power  
.....PAM-240A: 240W RMS, 70V(20.4ohms)/100V(41.7ohms)  
PAM-360A: 360W RMS, 70V(13.6ohms)/100V(27.8ohms)
- Frequency Response .....60Hz~20kHz
- Total Harmonic Ratio(T.H.D)  
.....Less than 1%(at 1kHz rated power)
- Signal to Noise Ratio (S/N).....More than 95dB
- Tone Control(100Hz, 10kHz).....±12dB
- EQ Control(100Hz, 1kHz, 10kHz).....±12dB
- Input Sensitivity/Impedance  
CH1~CH6.....1mV~160mV/10kΩ  
Link In .....100mV~10kΩ  
Telephone In.....0.775V/600Ω  
Amp In .....1V/20kΩ  
Remote In.....1mV~160mV/600Ω
- Speaker Output/Impedance ...240W: 70V/20.4, 100V/41.7Ω  
360W: 70V/13.6Ω, 100V/27.8Ω
- Preamp Out/Impedance.....1V/600Ω
- Music on Hold/Impedance .....0.775V/600Ω
- Link Out/Impedance .....500mV/600Ω
- Tone Control(100Hz, 10kHz).....±12dB
- EQ Control(100Hz, 1kHz, 10kHz) .....±12dB



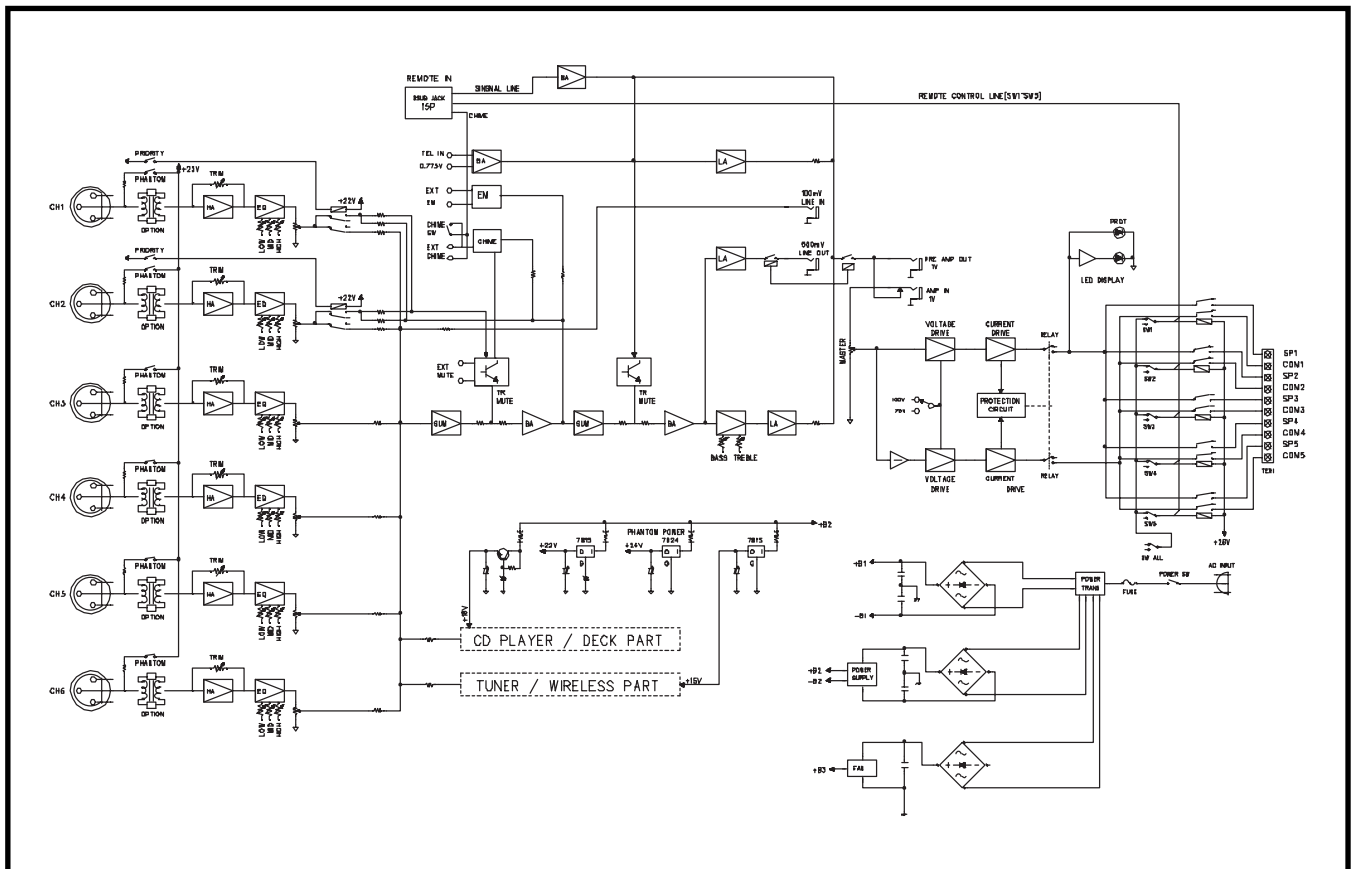
#### ■ GENERAL

- Power Source.....100-120VAC or 220-240VAC; 50/60Hz  
(Supplied AC mains transformer depends on country requirements)
- Power Consumption.....PAM-240A: 240W  
PAM-360A: 360W
- Weight.....PAM-240A: 11kg/24.3lb  
PAM-360A: 13kg/28.7lb
- Dimensions.....420(W) x 132(H) x 360(D)mm

# PAM-240A/360A



## BLOCK DIAGRAM



OFFICE : 653-5 BANGHAK-DONG, DOBONG-KU, SEOUL, KOREA TEL : 82-2-2289-8140~8, FAX : 82-2-2289-8149

Home page : <http://www.inter-m.com>

E-mail : [export@inter-m.com](mailto:export@inter-m.com)

9027103310